



2023-2024

*Jetax Field Equipment
Development and
Design LLC*



KEY MATERIALS

CARBON STEEL ALLOY STEEL HEBEI PIPELINE

STAINLESS STEEL DUPLEX STAINLESS STEEL



ONE STOP SOLUTION FOR PROJECTS

GENERAL INFORMATION OF COMPANY

Relaying on the factory's R&D advantage, Qualification advantage and Product advantage, HBPE has grown to be one of the most significant China supplier of Piping materials according to ASTM, DIN, EN, JIS, GOST standards used in critical applications, such as Chemical and Petrochemical plants, Oil installations, Power plants, Shipyards and Offshore platforms.

HBPE can supply complete package of pipes, butt weld fittings, forged fittings, threaded fittings in many different steel grades such as Carbon steel, Alloy steel, Stainless steel, Duplex and Super Duplex.

HBPE offer professional management of small and large scale projects, short lead times, on time delivery and the most important good quality products.

The products we supply are fully approved by the major inspection authorities like ASME, API5L, CE, BV, and come with EN10204 3.1 Certification



COMPANY PROFILE:

- Relying on the factory's R&D advantage, Qualification advantage and Product advantage, JETEX has grown to be one of the most significant supplier of Piping materials according to ASTM, DIN, EN, JIS, GOST standards used in critical applications, such as Chemical and Petrochemical plants, Oil installations, Power plants, Shipyards and Offshore platforms.
- HBPE can supply complete package of pipes, butt weld fittings, forged fittings, threaded fittings in many different steel grades such as Carbon steel, Alloy steel, Stainless steel, Duplex and Super Duplex.
- HBPE offer professional management of small and large scale projects, short lead times, on time delivery and the most important good quality products.
- The products we supply are fully approved by the major inspection authorities like ASME, API5L, CE, BV, and come with EN10204 3.1 Certification

Jetax

What we do:

Globe valve series

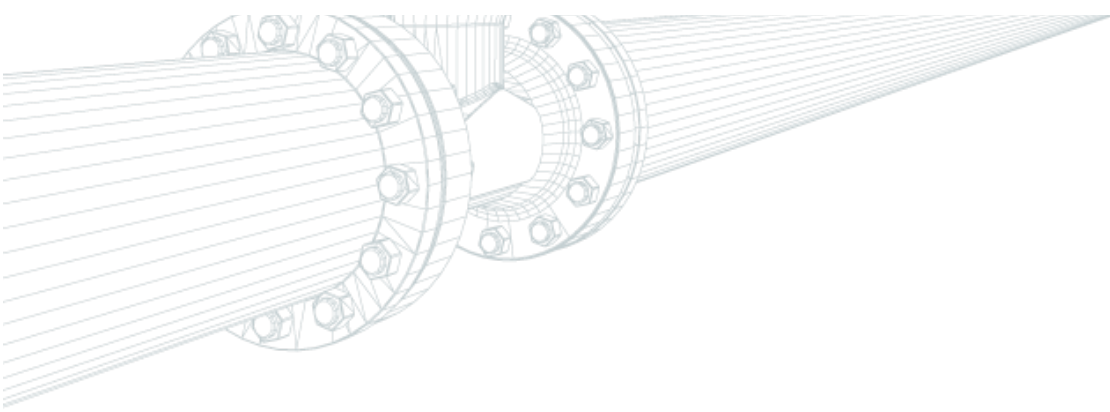
Check valve series

Ball valve series

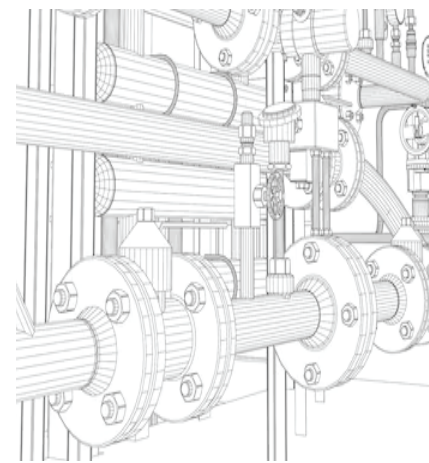
Other valve series

Gate valve series

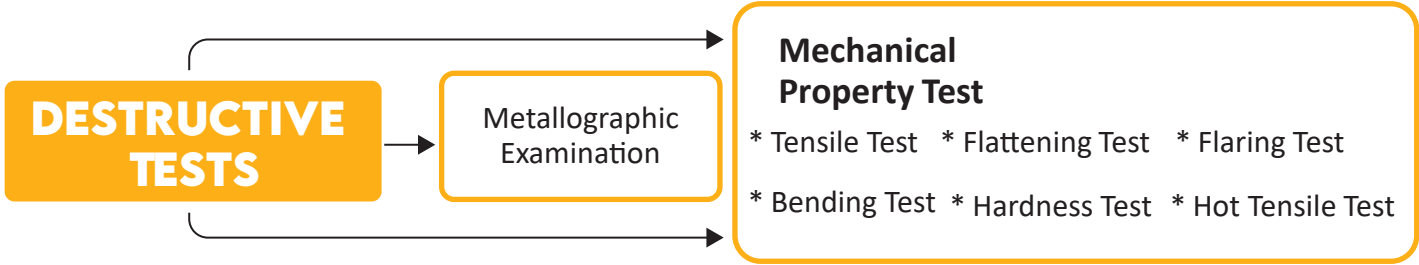
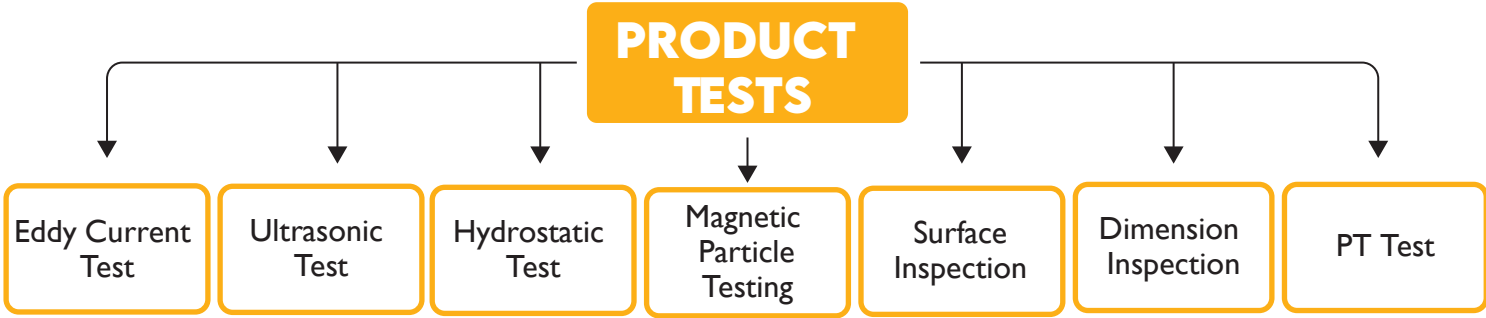
Butterfly valve series



PIPES WORKSHOP



QUALITY CONTROL



MAIN PRODUCTS

Manufacturing Standards: ASTM, ASME, EN, DIN, JIS, GOST

Types: Elbow, Concentric Reducers, Eccentric Reducers, Equal Tees, Reducing Tees, Caps

Process: Seamless & Welded

Materials: Carbon steel, Alloy steel, Stainless steel



PIPE SPOOLS

AVAILABILITY: STOCK/PRODUCTION

Manufacturing Standards: ASTM, ASME, EN, DIN, JIS, GOST

Types: According to the drawings from customers

Process: Welded

Materials: Carbon steel, Alloy steel, Stainless steel

Availability: Production





MAIN PRODUCTS

Manufacturing Standards:

Types: Elbow, Concentric Reducers, Eccentric Reducers, Equal Tees,

Radius: 2D, 3D, 5D, 7D, 10D

Process: Seamless & Welded

Materials: Carbon steel, Alloy steel, Stainless steel

Availability: Production





FLANGES

Manufacturing Standards: ASTM, ASME, EN, DIN, JIS, GOST

Types: WN Flange, SO Flange, SW Flange, Blind, Orifice, Spacers
RF, FF, RTJ

Materials: Carbon steel, Alloy steel, Stainless steel

Availability: Stock/Production



WELDED STEEL PIPE & TUBE

Manufacturing Standards: ASTM, ASME, EN, DIN, JIS, GOST

OD: 273-3000mm

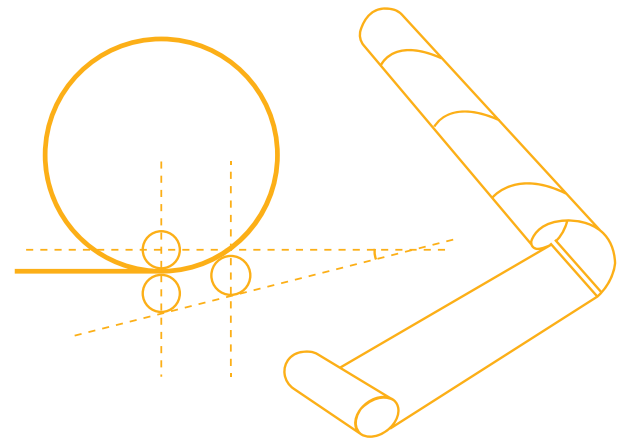
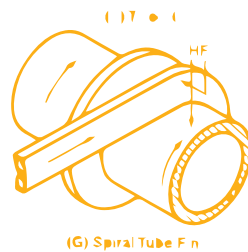
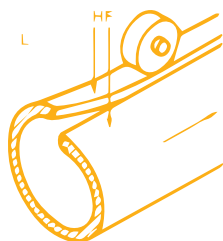
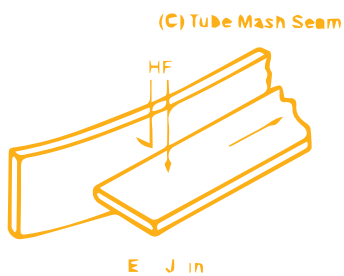
WT: 0.65-60mm

Length Max: 12000mm

Process: LSAW, SAW, DSAW

Material: Carbon Steel, Alloy Steel, Stainless Steel

Availability: Stock/Production



PIPE SPOOLS

AVAILABILITY: STOCK/PRODUCTION

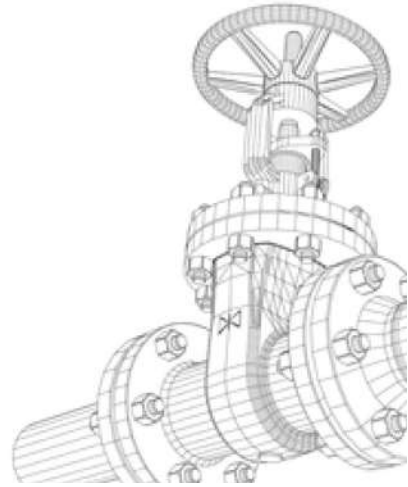
Manufacturing Standards: ASTM, ASME, EN, DIN, JIS, GO

Types: According to the drawings from customers

Process: Welded

Materials: Carbon steel, Alloy steel, Stainless steel

Availability: Production



be Stock | #654093345



SPECIAL PIECES & ACCORDING TO DRAWING

Manufacturing Standards:

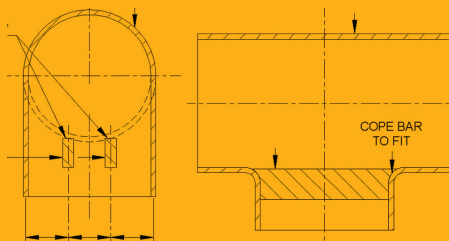
Types: Elbow, Concentric Reducers, Eccentric Reducers, Equal Tees,

Radius: 2D, 3D, 5D, 7D, 10D

Process: Seamless & Welded

Materials: Carbon steel, Alloy steel, Stainless steel

Availability: Production



SOCKET WELDED & THREADED FITTINGS

Manufacturing Standard: ASTM, ASME, EN, DIN, JIS, GOST

Types: Elbow, tees, reducers, cap,

Process: Socket weld & Threaded

Materials: Carbon steel, Alloy steel, Stainless steel

Availability: Stock/Production



PACKAGES & PROTECTION



FOR FITTINGS



FOR FLANGES



